



10 Zone Wiring Centre

Installation Guide

Description

Fastwarm 10 Zone Wiring Centre are for use with 230v thermostats, to control any 230v normal closed thermal actuator for multi zone control.

Fastwarm 10 Zone Wiring Centre offers a volt free terminal to operate the heat source such as boilers and heat pumps.

Additional outputs designed for use with under-floor heating systems are also included such as 230v terminals for the underfloor pump and underfloor heating motorized valve.

Pump Delay

Fastwarm 10 Zone Wiring Centre have a featured pump delay , users can adjust between 3mins (DEFAULT) or 1min by adjusting the switch on the pcb board. The pump output delay time is 3 minutes if switch is set to "1" and 1 minutes if switch is set to "ON" ; this can be located to the right of the fuse on the pcb board.

Zone10 (Use for UFH or RADS)

Zone 10 can be used as an isolated radiator zone, by using the UFH/RAD switch. If the switch is set to RAD; When Zone10 calls for heat this will provide an output to a radiator zone valve and the boiler, but WILL NOT enable the under-floor heating pump/valve output. If the switch is set to UFH; When Zone 10 calls for heat, this will act as an under-floor heating zone, by enabling the actuator, boiler and pump/valve outputs. Any output which is not needed can be ignored.

To enable Pump delay Or and Gr must be linked;

Or - Orange

Gr - Grey

L - Live

E - Earth

N - Neutral

When an under-floor heating zone sends a call for heat to the Wiring Centre, the live & neutral output will supply 230v to the manifold valve. The auxiliary wires of the valve, usually grey & orange, are wired to the Gr & Or terminals.

Connections

Power Supply

Power supply should come from a fused spur;

L - Live 230v AC 50/60HzE

E - Earth

N - Nuetral

Heat Enable

This is the main call for heat for the system, there are 3 connections;

LS - Live Supply

E - Earth

LR - Live Return

Electrically this is a volt free switch, whatever supply is placed on the **LS** connection, is fed to the **LR** connection when there is a call for heat.

Zones 1...10 (Inputs)

Zone inputs are clearly marked at the top of the circuit board;

L - Live supply to thermostat.

E - Earth

N -Neutral supply to thermostat.

S/L - 230v switch live from thermostat, this activates the corresponding zone output.

Zones 1...10 (Outputs)

Zones outputs are clearly marked;

L - live out to actuator or valve

N - neutral to actuator or valve

There are two connections live (**L**) and neutral (**N**), both terminals marked **L** are the same and both terminals marked **N** are the same. Each zone output corresponds to the thermostat wired in at the top of the pcb.

UFH Pump

Used for an underfloor heating manifold pump, connections are;

L - Live **E** - Earth **N** - Neutral

When an under-floor heating zone sends a call for heat to the wiring centre the live & neutral output will supply 230v to the manifold pump. The pump and boiler delay time is 3 minutes if switch in 1 ; The pump and boiler delay time is 1 minute if switch in ON; It is recommended that this is fed through a high limit switch placed on the heating manifold, to protect against mechanical failure of the manifolds temperature control.

To enable Pump delay Or and Gr must be shorted

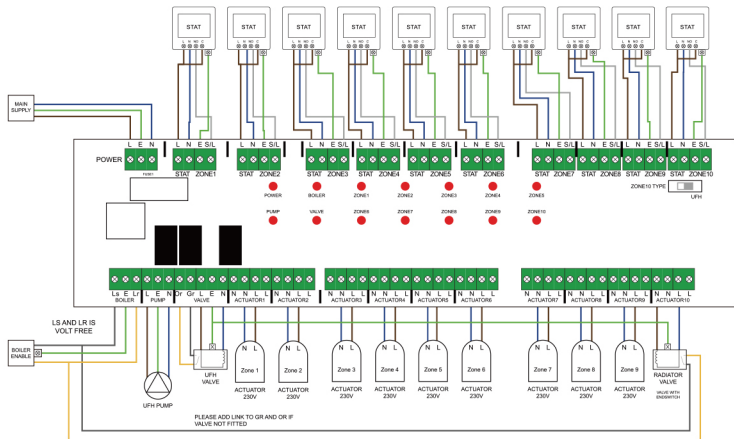
Or - Orange **Gr** - Grey **L** - Live **E** - Earth **N** - Neutral

When an under-floor heating zone sends a call for heat to the Wiring Centre, the live & neutral output will supply 230v to the manifold valve.

The auxiliary wires of the valve, usually grey & orange, are wired to the Gr & Or terminals.

Fuses

Fuse 5amp, 30mm anti-surge fuse, this fuse supplies power to all 230v outputs from the board it protects the zone, pump/valve outputs.



UNDER FLOOR MANIFOLD

- LIVE
- TIMER LIVE
- SWITCH LIVE
- NEUTRAL
- EARTH
- END SWITCH
- AND BOILER ENABLE